



CSN® Finned radiator type oven 700/..N

The robust oven for industrial operating conditions is almost indestructible, even under the most difficult operating conditions.

Typical applications in the area room-heating:

- Crane cabins
- Work booths
- Workshops
- Escalators

Technical data:

- protection mode IP 65
- without thermostat or switch
- voltage: 230 V ~
- for horizontal installation
- for fixed connection

available in

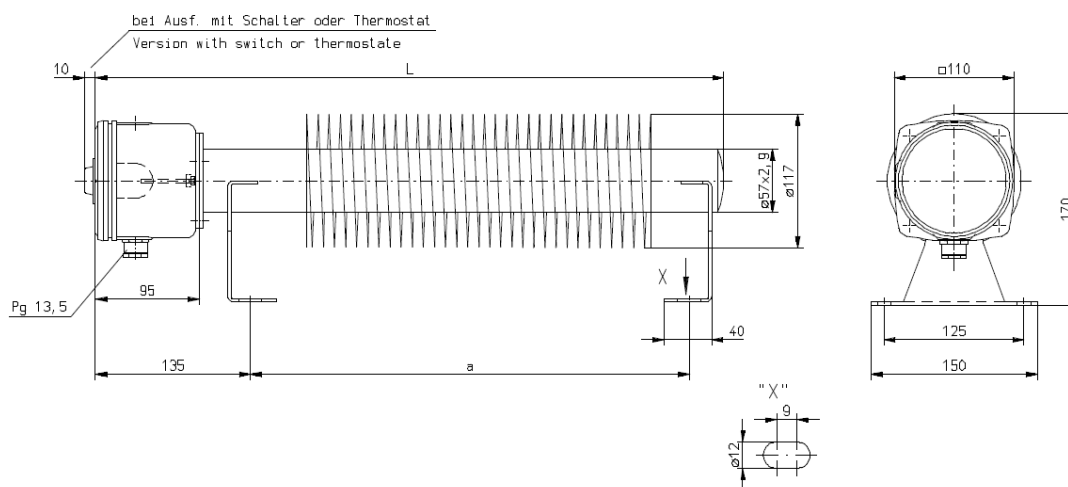
- black varnished
- galvanized
- stainless steel



Advice for installation:

According to EN 60335-1, finned radiator type ovens may be operated exclusively in industrially used room (increased surface temperature) or they must be installed at a high difficult to reach.

Type	Output W	Voltage V	total length mm	distance a	Height mm	Weight approx. kg
700/10N	1000	230 ~	695	500	170	7,0
700/20N	2000	230 ~	1095	910	170	12,0
700/30N	3000	230 ~	1695	1510	170	19,0
700/60N	6000	400 3~	3195	3010	170	36,0



Other versions on demand!



CSN® Finned radiator type oven 700/..R

The robust oven for industrial operating conditions is almost indestructible, even under the most difficult operating conditions.

Typical applications in the area room-heating:

- Crane cabins
- Work booths
- Workshops
- Escalators

Technical data:

- protection mode IP 54
- with progressively adjustable thermostat
- voltage: 230 V ~
- for horizontal installation
- 1,5 m supply line incl. shock-proof plug



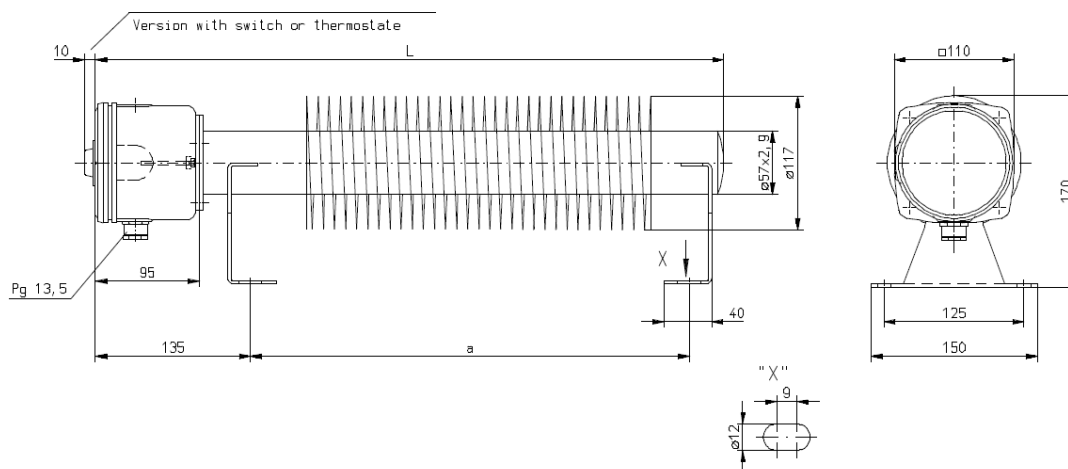
available in

- black varnished
- galvanized
- stainless steel

Advice for installation:

According to EN 60335-1, finned radiator type ovens may be operated exclusively in industrially used room (increased surface temperature) or they must be installed at a high difficult to reach.

Type	Output W	Voltage V	total length mm	distance a	Height mm	Weight approx. kg
700/10R	1000	230 ~	695	500	170	7,0
700/20R	2000	230 ~	1095	910	170	12,0
700/30R	3000	230 ~	1695	1510	170	19,0



Other versions on demand!



CSN® Finned radiator type oven 700/..B

The robust oven for industrial operating conditions is almost indestructible, even under the most difficult operating conditions.

Typical applications in the area room-heating:

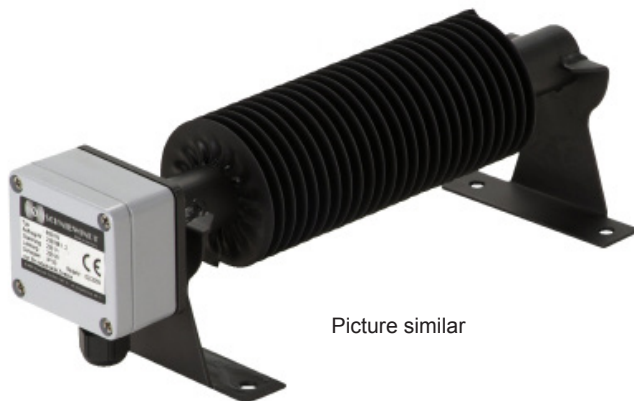
- Crane cabins
- Work booths
- Workshops
- Escalators

Technical data:

- protection mode IP 65
- with limiter
- voltage: 230 V ~
- for horizontal installation
- for fixed connection

available in

- black varnished
- galvanized
- stainless steel

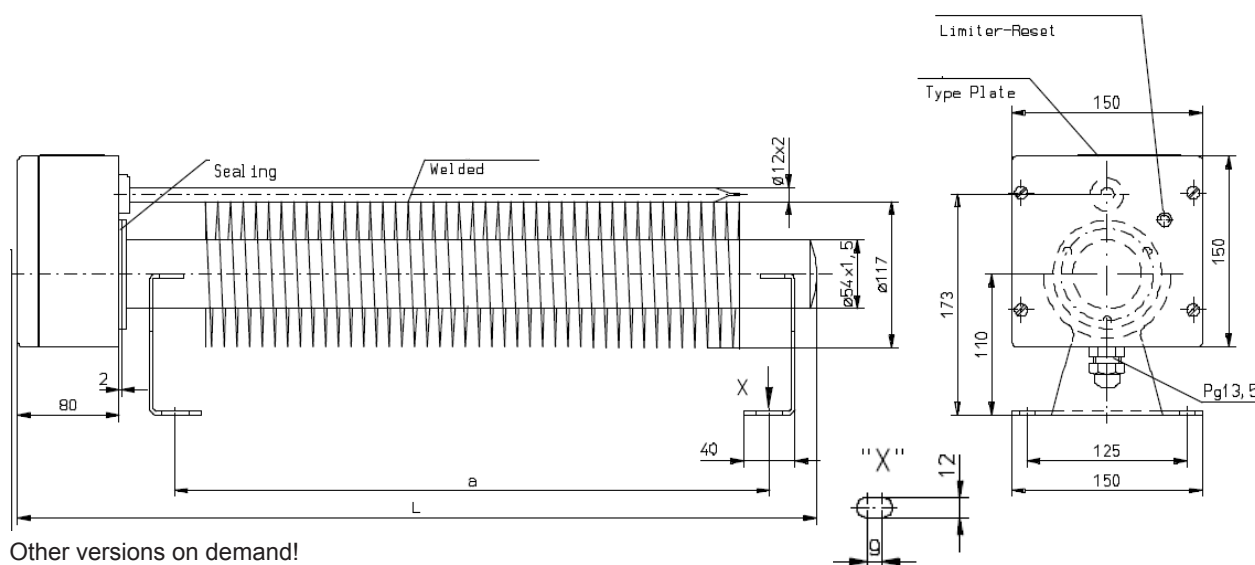


Picture similar

Advice for installation:

According to EN 60335-1, finned radiator type ovens may be operated exclusively in industrially used room (increased surface temperature) or they must be installed at a high difficult to reach.

Type	Output W	Voltage V	total length mm	distance a	Height mm	Weight approx. kg
700/10B	1000	230 ~	695	500	170	7,0
700/20B	2000	230 ~	1095	910	170	12,0
700/30B	3000	230 ~	1695	1510	170	19,0
700/60B	6000	400 3~	3195	3010	170	36,0





CSN® Finned radiator type oven type 700/..F

The robust oven for industrial operating conditions is almost indestructible, even under most difficult operating conditions. The „F“ series is preferably used where safety risks may occur due to high surface temperatures. **The type 700/F range does not exceed the max. surface temperature of 115 °C** and is therefore suitable for the installation in rooms with potential fire-hazard.

Typical applications:

- Garages
- Garden houses
- Fire station houses

Technical data:

- protection mode IP 65
- without thermostat or switch
- voltage: 230 V ~
- for horizontal installation
- for fixed connection

available in

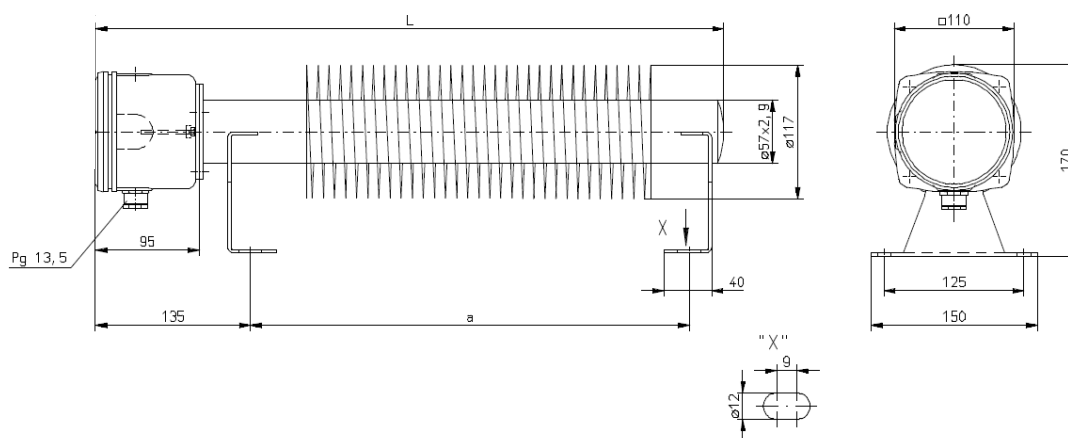
- black varnished
- galvanized
- stainless steel



Advice for installation:

According to EN 60335-1, finned radiator type ovens may be operated exclusively in industrially used room (increased surface temperature) or they must be installed at a high difficult to reach.

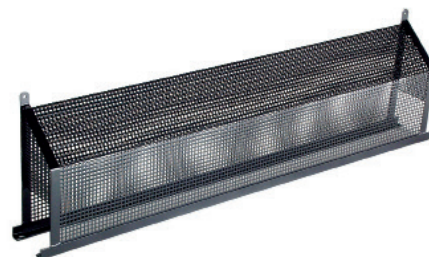
Type	Output W	Voltage V	total length mm	distance a	Height mm	Weight approx. kg
700/10F	275	230 ~	695	500	170	7,0
700/20F	540	230 ~	1095	910	170	12,0
700/30F	1100	230 ~	1695	1510	170	19,0
700/60F	2000	230 ~	3195	3010	170	36,0



Other versions on demand!



Protection grids in line with our CSN® Finned radiator type ovens 700/..



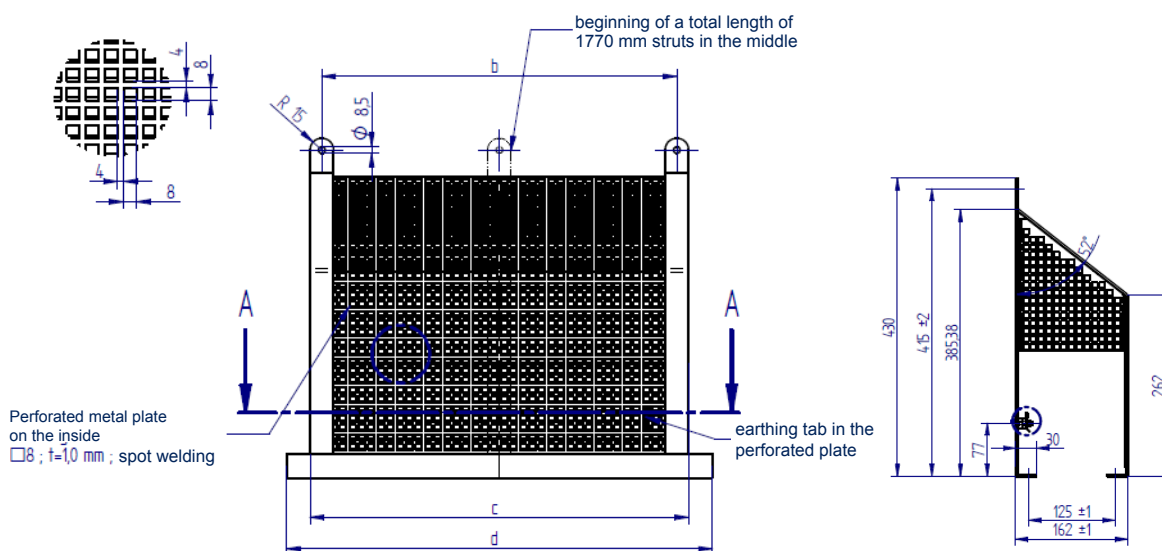
Protection grid, with a skewed front

Typ „M“

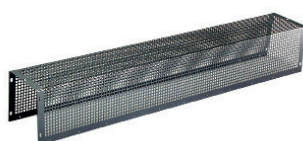
Objects hardly hold on the oven, the risk of heat built-up is reduced.

The protection basket is suitable for room heaters with „Germanischen Lloyd“ approval.

suitable for type	total length heater	A/mm +3	B/mm +3	C/mm	d/mm	item no.		
						steel	steel galvanized	stainless steel
700/10	695	500	450	480	540	0129563347R	0129563447R	0129563747R
700/20	1095	910	860	890	950	0129563317R	0129563417R	0129563717R
700/30	1695	1510	1460	1490	1550	0129563327R	0129563427R	0129563727R
700/60	3195	3010	2960	2990	3050	0129563337R	0129563437R	0129563737R



PA- connection



One favourable alternative are the grids type S (bent at a right angle). Further information you will find under the product group „Ex-radiator type ovens“.